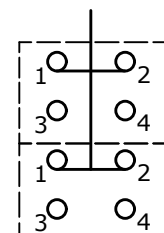
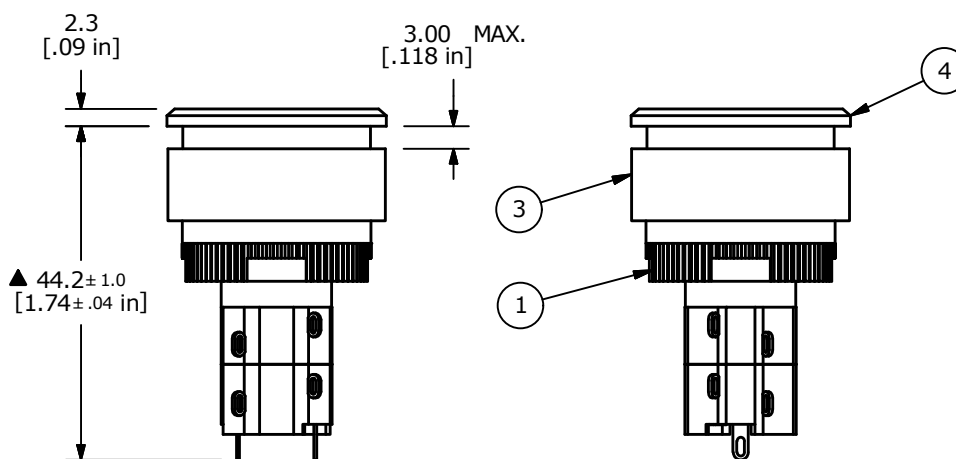
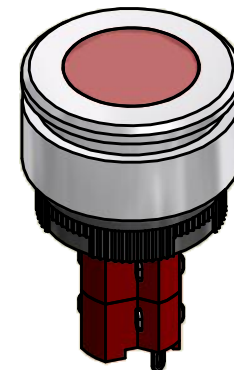
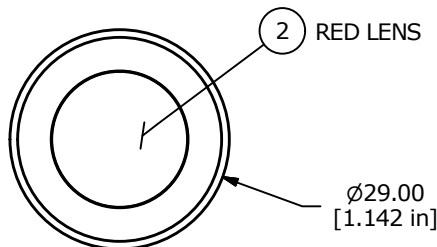
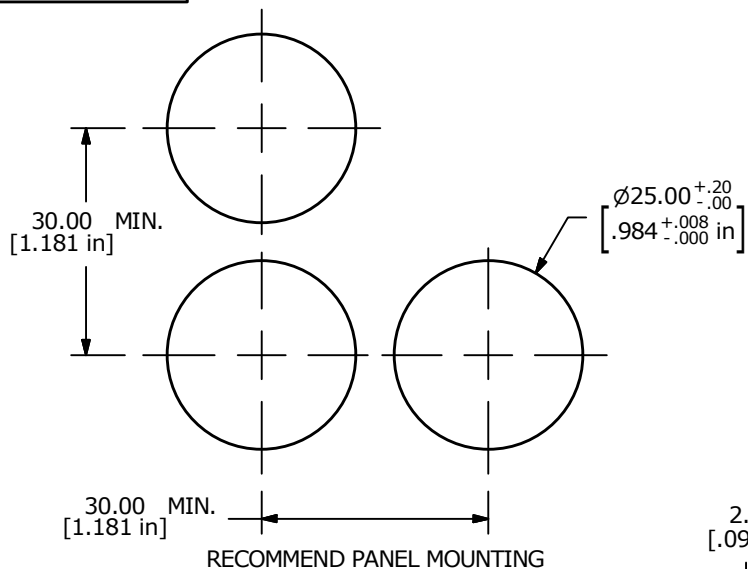
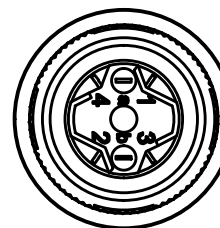


▲ Parts List

ITEM	QTY	PART NUMBER	DESCRIPTION
1	1	F060607	LASOAV12 BODY
2	1	F060204	25 MM RED LENS
3	1	F051705	V3 FLUSH MOUNT RETAINER
4	1	F051704	V3 FLUSH MOUNT BEZEL
5	-	-	NO LED



▲ DPDT CONTACT CONFIGURATION



- NOTES:
1. ALL DIMENSIONS IN MM [INCH].
  2. GENERAL TOLERANCE: 0.0 = ± 0.4  
0.00 = ± 0.25
  3. TERM. NOS. FOR REF. ONLY.
  4. RATING: 5A @250VAC  
8A @125VAC  
0.2A @250VDC  
6A @24VDC
  5. INSULATION: 1,000 MΩ MIN.
  6. DIELECTRIC STRENGTH: 2000V FOR 1 MIN.
  7. SEALED TO IP65.
  8. TRAVEL: 3.0MM FULL TRAVEL, MOMENTARY
  9. ELECTRICAL LIFE: >50,000 CYCLES
  10. OPERATING TEMP: -25C TO +55C
  11. PANEL THICKNESS: 0.5MM TO 3.0MM
  12. ▲ DENOTES CRITICAL PARAMETER.
  13. PACKAGE: BOX/20 PCS PER.
  14. 2002/95/EC (ROHS) COMPLIANT



A	21923	RELEASED FOR PRODUCTION	7/17/15	MW
REV	PCR NO	DESCRIPTION	DATE	BY

TITLE LASOAV320RED				
SCALE	DATE	DR	DWG	REV
1:1	7/17/2015	MW	XF0903P	A

THE INFORMATION CONTAINED IN THIS DOCUMENT IS PROPRIETARY TO E-SWITCH AND IS NOT TO BE COPIED OR TRANSFERRED